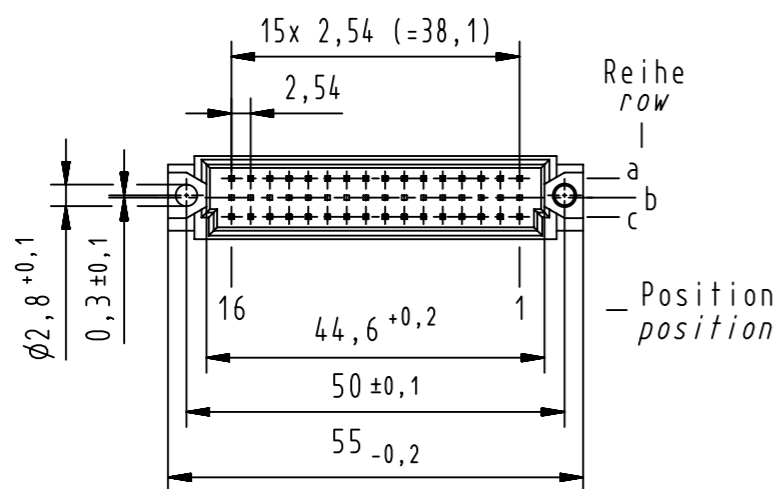
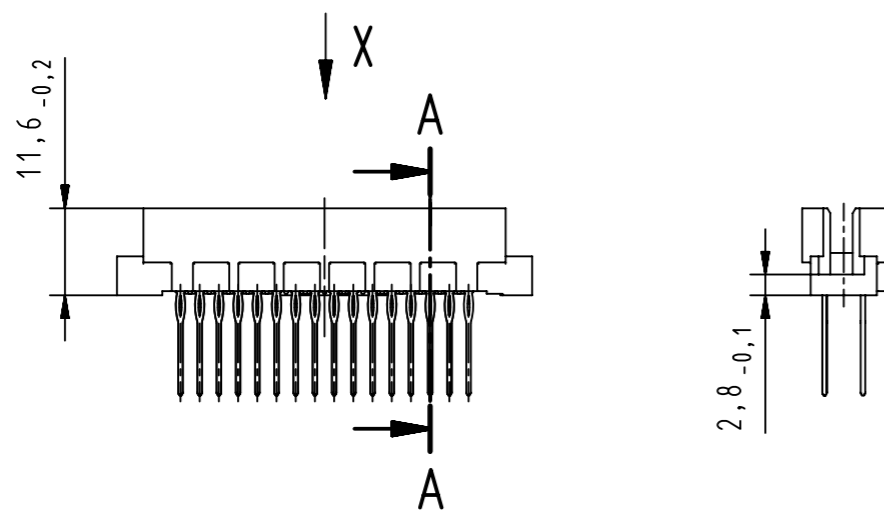
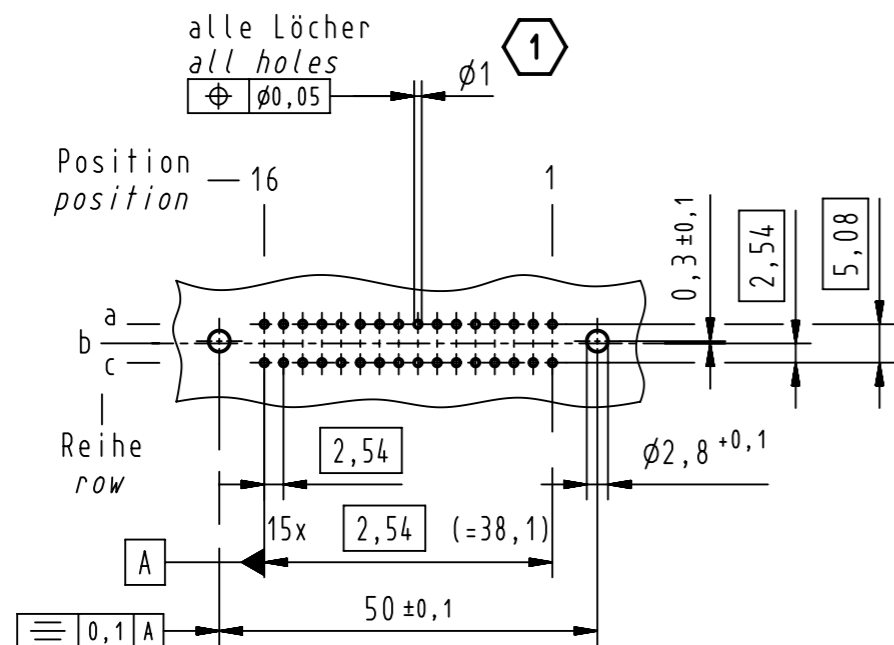
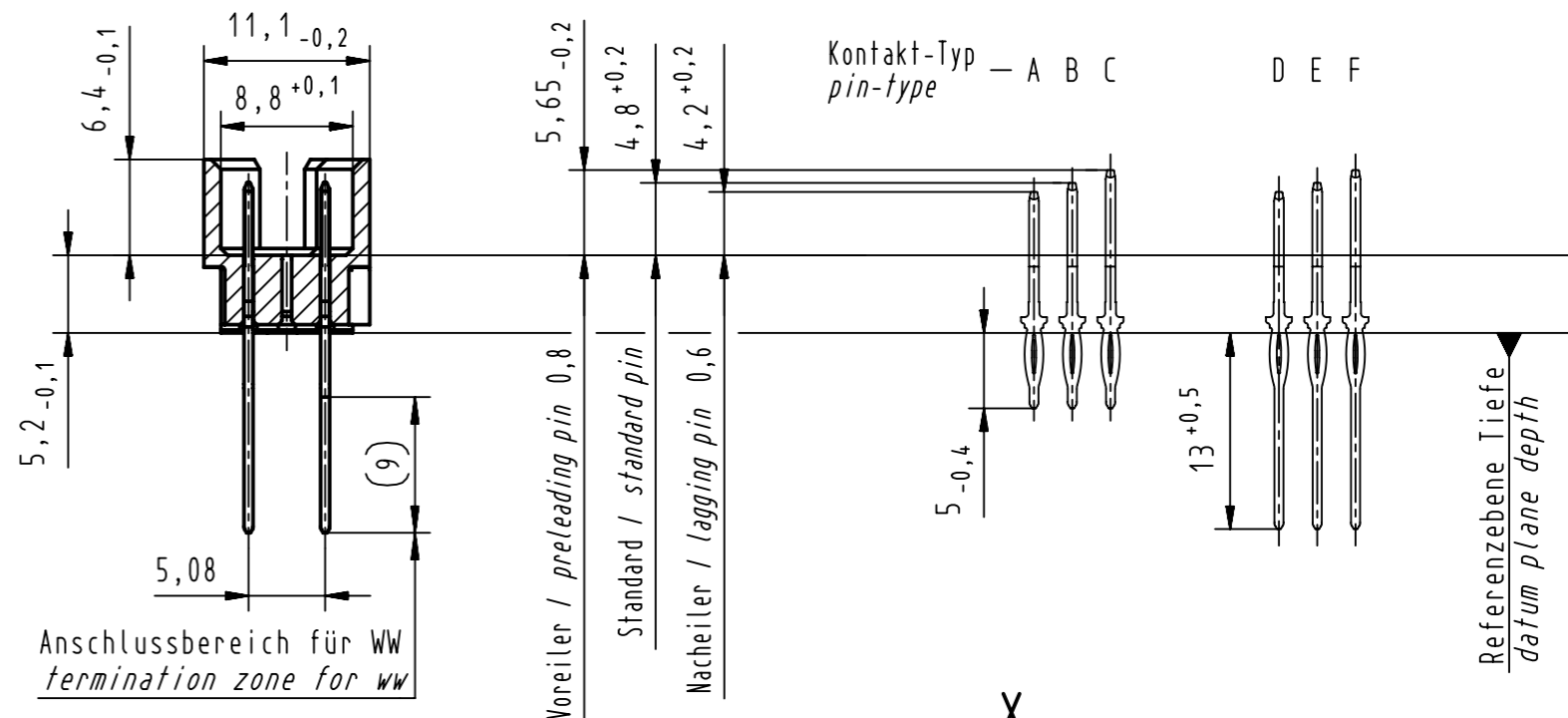


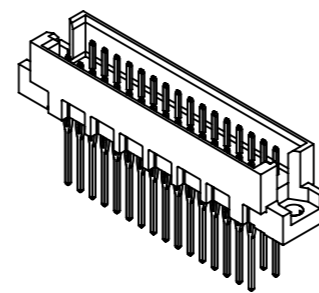
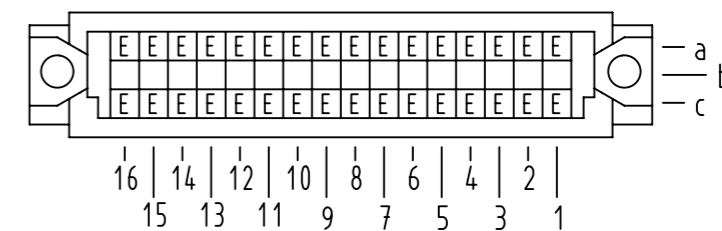
# X Lochbild board drillings



# A-A (2:1)



# X Kontaktbelegung contact loading



Empfohlener Lochaufbau und  
weitere Informationen siehe: DS 09 73 110 00 01  
recommended configuration of plated through holes  
and further information see: DS 09 73 110 00 01

09 28 132 7985	3
09 28 132 6985	2
Bestell-Nr. part-no.	Anforderungsstufe performance level <b>1</b>

<p>All rights reserved Department EL PD</p> <p>HARTING Electronics GmbH D-32339 Espelkamp</p>	<p>All Dimensions in mm Original Size DIN A3</p>	<p>Scale 1:1</p>	<p>Free size tol. complementary IEC 60603-2</p>	<p>Ref. Sub. TB 09 28 132 x985 Mod.35540 vom 15.07.09</p>
	<p>Created by HAGEMEYERE</p>	<p>Inspected by LEHNERT</p>	<p>Standardisation HOFFMANN</p>	<p>Date 2013-01-15</p>
<p>Title DIN-Signal 2R032MP-13,0C1-2</p>		<p>Type TB</p>	<p>Number 0928132X985</p>	<p>Doc-Key / ECM-Nr. 100177218/UGD/028/B 50000059951</p>
			<p>Rev. B</p>	<p>Page 1/1</p>